


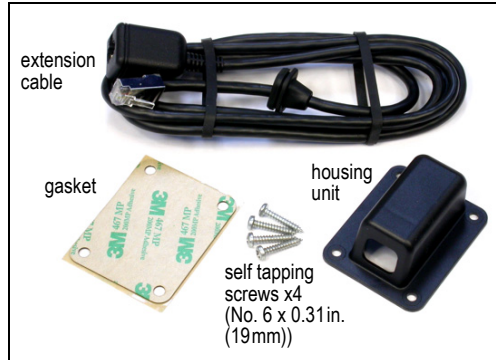
T02-00009-0201/0202/0203/0204 Hand-Held Control Head Extension Kits Installation Instructions



The T02-00009-0201/0202/0203/0204 kits can be used to extend the distance between a hand-held control head and the radio body or a remote interface box. Cables are provided in lengths of 5 ft/1.6 m (T02-00009-0201), 10 ft/3 m (T02-00009-0202), 20 ft/6 m (T02-00009-0203), or 30 ft/9 m (T02-00009-0204). A housing unit and gasket encloses the extension cable socket, and provides additional strain relief and some protection from water and dust ingress.

Notice Up to ten cables can be connected in series, to achieve a maximum distance of 100 ft/30 m. If distances greater than this (up to 200 ft/60 m) are required, allowances must be made for the remote speaker extension. For example, a thicker speaker cable to reduce audio losses.

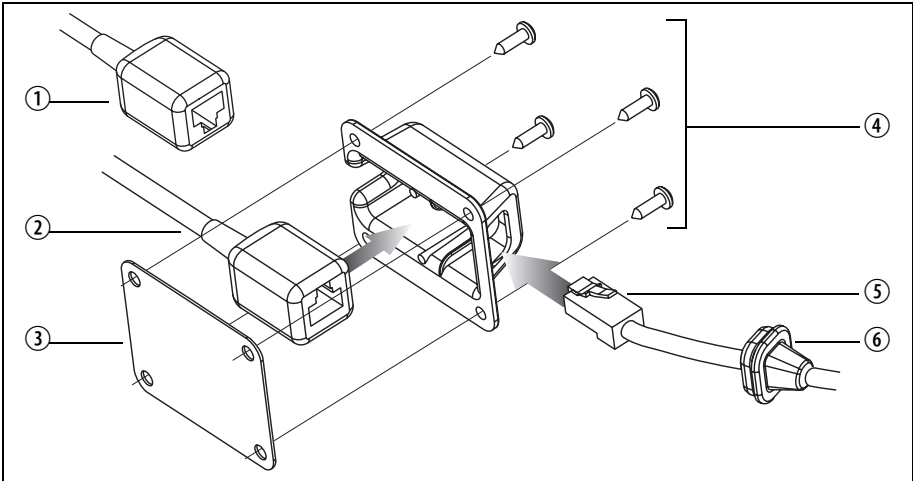
 The mounting screws provided for the housing unit are general purpose, and may not be suitable for all installations. It is your responsibility to choose the most appropriate screw type and length for the mounting location. The maximum screw diameter you can use with this housing is 0.16 in/4.2 mm (No. 8 or M4).



Caution When drilling holes in a vehicle, check that drilling at the selected points (and subsequent fitted screws) will not damage vehicle systems, for example, existing wiring, petrol tanks, fuel lines, brake pipes or battery cables.

For detailed instructions on how to install grommets and the mounting clip, and for operation and programming, refer to the instructions provided with the hand-held control head.

- 1 Determine the best route for the extension cable and mounting position for the housing unit.
- 2 Install the extension cable.
 - a Route the extension cable between the mounting position for the housing unit and the radio body or remote interface box.
 - b Drill any holes required for the cable and install suitable grommets or bushings in the holes.
 - c Make sure the radio is turned off, then plug the extension cable connector into either of the RJ45 sockets on the remote blanking control head, or the HHCH port of the remote interface box.
 - d Install the extension cable grommet.



3 Slide the extension cable socket ② into the housing unit.

ⓘ The socket can slot in the opposite orientation ①, depending on the most accessible location for the connector release clip ⑤.

4 (Optional) Install the gasket.

- a Peel the adhesive backing off one side of the gasket ③.
- b Fit that side of the gasket to the housing unit so the screw holes line up.
- c Apply pressure until the adhesive holds.

5 Mount the housing unit.

Use one or both of the following mounting methods:

■ If the gasket is installed (step 4), peel the adhesive backing off, place the housing unit on the mounting surface at the required location, and apply pressure until the adhesive holds.

ⓘ The adhesive is optional. If you choose not to use adhesive for mounting, leave the adhesive backing on and screw the housing unit and gasket as described below.

■ Use the four screws provided ④, or screws of maximum diameter 0.165 in/4.2mm (No. 8 or M4), to mount the housing unit. Pre-drill pilot holes of the appropriate diameter for the screw type and mounting surface before inserting and fastening the screws.

6 Install the hand-held control head curly cord.

- a Slide the hand-held control head connector ⑤ into the connector hole of the housing unit until the release clip fastens.
- b Install the hand-held control head grommet ⑥ into the housing unit.

More Information

Refer to your radio provider for more information about this product.