

TMAA05-01/TMAA05-04 GPS Receivers Installation Instructions

Introduction

The TMAA05-01 and TMAA05-04 GPS receivers integrate a high performance 12-channel GPS receiver into a fully weatherproof, IPX7-rated housing.

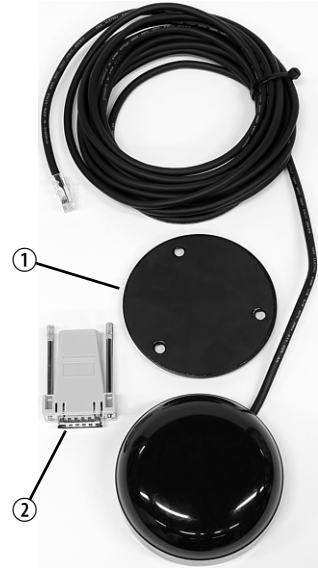
The TMAA05-04 (shown at right) is supplied with a magnetic mount ①. The TMAA05-01 is identical, but is supplied without the magnetic mount.

The magnetic mount is available separately under part number TMAA05-02.


The TMAA05-03 mounting plate is also available where a permanent mounting is required.

Both GPS receivers include an adapter ② for connecting to the auxiliary connector of your mobile radio.

The GPS receivers operate at a frequency of 1575.42MHz (± 10 MHz).



Installation Precautions

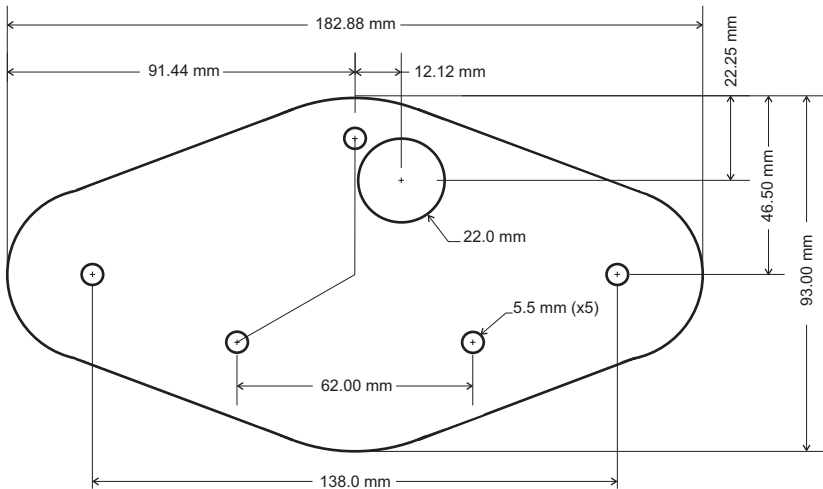
 **Warning** When mounting the GPS receiver inside a vehicle, make sure you mount it securely. Unsecured equipment is dangerous to the vehicle occupants.

Notice When drilling holes in a vehicle, check that drilling at the selected points will not damage existing wiring, fuel tanks, fuel lines, brake pipes or battery cables.

Notice GPS accuracy may be influenced by close radiation sources (such as transmitting radio antennas). This must be taken into consideration when choosing the mounting location of the GPS antenna and cabling. If unsure please contact your radio provider.

TMAA05-03 Plate Mount

The TMAA05-03 plate mount can be used to permanently mount the GPS receiver to a flat surface. The plate mounts onto the bottom of the GPS receiver with the threespacer washers and screws provided. The spacer washers must be positioned between the plate mount and the GPS receiver. Two holes allow securing the plate to the mounting surface.



Installation

- 1 Drill any holes required for the cables and install suitable grommets or bushings in the holes.
- 2 Plug the adapter into the 15-way auxiliary connector on the radio.
- 3 If applicable, screw the GPS receiver to the TMAA05-02 magnetic mount or the TMAA05-03 plate mount using the three spacer washers and screws provided. Place the spacer washers between the mount and the GPS receiver.
- 4 Position the GPS receiver where it has an uninterrupted view of the sky. This can be on the roof of the vehicle or on the rear parcel tray in the vehicle.
- 5 If applicable, securely screw the TMAA05-03 plate mount to the mounting surface.
- 6 Run the GPS receiver cable to the adapter and plug it in. Tie up any unused cables.

Programming Radios

For information about programming the radio for use with the GPS receiver, refer to the Help of the programming application. For information on GPS and AVL (automatic vehicle location) applications, contact your radio provider.

More Information

Refer to your radio provider for more information about these products.