

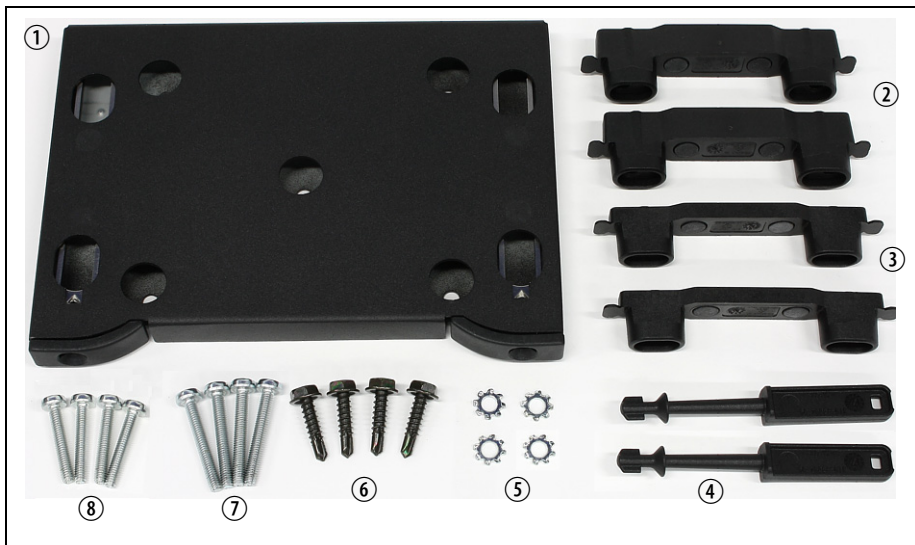
TMAA03-02 Security Bracket Installation Instructions

Introduction

The TMAA03-02 security bracket can be used in place of the standard U-bracket in locations where you want to stop opportunistic removal of the radio by a third party, or where you want to have a quick release setup that allows you to swap over radios (e.g. leasing situation). The security bracket also provides electrical isolation to the radio.



Warning For continued safe operation, replace and do not re-use the security bracket once it has been involved in a crash greater than 30mph (50km/h).



The security bracket kit is supplied with two different sets of mounting rails and mounting screws:

- higher rails ② and longer screws ⑦ for radios with graphical display control head (such as the TM9000 series and the TM8255)
- lower rails ③ and shorter screws ⑧ for radios with small control head (such as the TM8100 and the TM8235)

Notice Do not mount the security-bracket mounting rails directly to the metal lid of the radio body or use the incorrect screw length. This will cause irreversible damage to the radio. Damage is also possible if the installation instructions are not followed exactly.

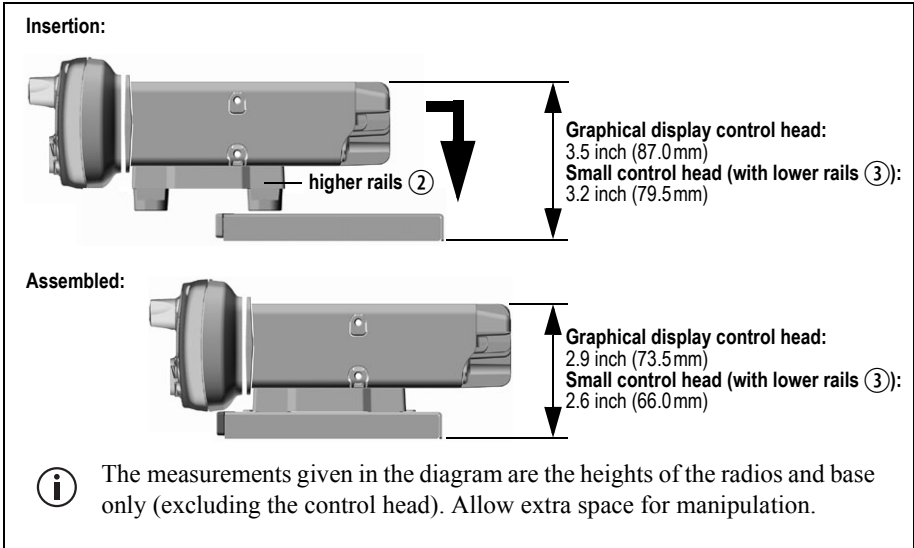
Selecting the Mounting Position



Warning When mounting the security bracket inside a vehicle, make sure you mount it securely. Unsecured equipment is dangerous to the vehicle occupants.

Before installing the security bracket, make sure that the site you have chosen for the installation meets the following criteria:

- The site has enough height for the radio to be easily fitted and removed.



- The site has enough depth for the radio. Check that the front and rear overhang of the radios will fit where you are mounting the security bracket.
- The site allows for good air circulation, particularly at the rear of the radio.

Mounting the Security-Bracket Base

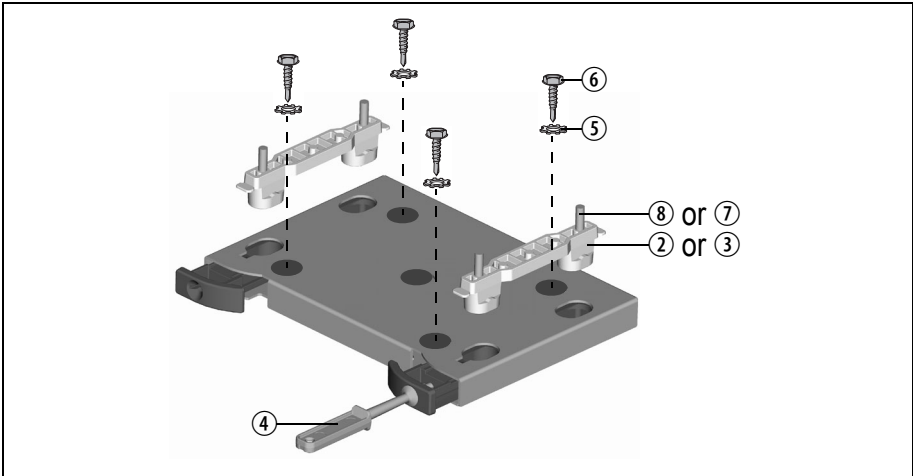
Once you have identified a suitable site for the security bracket and radio, use the following procedure to install the security-bracket base ①.



Warning When drilling holes in a vehicle, check that drilling at the selected points will not damage existing wiring, fuel tanks, fuel lines, brake pipes or battery cables.

Notice When mounting the security bracket, check whether the mounting surface needs to be reinforced.

- 1 Drill any holes required for cables and install suitable grommets or bushings in the holes.



i For more precise positioning, predrill \varnothing 1/8 inch (3 mm) pilot holes for the self-drilling screws. Reduce the hole size in metal that is less than 1/32 inch (1 mm) thick.

- 2 Screw the security-bracket base in the chosen mounting position using the four self-drilling screws **6** and washers **5** provided. The base actually has five screw holes available, but the centre screw hole does not need to be used.

Mounting the Radio in the Security-Bracket Base

- 1 Select the correct mounting rails (**2** or **3**) and screws (**7** or **8**) and attach a rail to each side of the radio chassis.

i The higher rail **2** and the longer screws **7** are used for radios with graphical display control head. The lower rail **3** and shorter screws **8** are used for radios with small control head.

Use two screws per rail and tighten the screws to a minimum torque of 20 lbf·in (2.26 N·m).

- 2 If the slide locks are closed, open them by inserting the slide lock key **4** into the keyhole. Rotate the key 90° (it will slip into a detent), and pull.

Two slide lock keys **4** are supplied so that you can either use them both at once, or so that you can keep one as a spare.

- 3 Insert the radio, complete with mounting rails, into the security-bracket base. The feet of the mounting rails fit securely into the base.
- 4 Close the slide locks by pressing them into the base. You should hear an audible click as the internal spring-lock mechanism engages.

Other Security-Bracket Mounting Options

If it is necessary to mount the security bracket so that the radio is below the security-bracket base, and radio control head has a user interface, either of the following procedures will allow the control head to be viewed in the usual way:

- change the orientation of the radio control head before mounting the radio in the security-bracket base, or
- mount the security-bracket mounting rails through holes especially drilled in the radio cover.

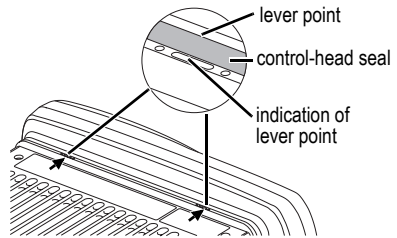
Changing the Orientation of the Radio Control Head

Use the following procedure to remove the control head from the radio body:

Notice During this procedure, take care that the control-head seal is not damaged. Damage to this seal reduces environmental protection.

On the underside of the radio, two lever points are indicated on the radio body by a dot-dash-dot pattern (○ — ○). The lever point is between the control-head seal and the control head.

- 1 At either of the lever points, insert a 3/16 inch (5 mm) flat-bladed screwdriver between the control head and the control-head seal.
- 2 Use the screwdriver to lift the control head off the snap feature, then repeat in the other position. The control head can now be removed from the radio body.



Use the following procedure to reinstall the control head on the radio body:

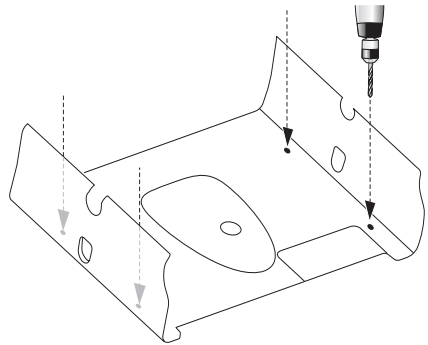
- 1 Rotate the control head 180°, so that the control-head display is viewable once the radio is installed in the security-bracket base.
- 2 Plug the control-head loom onto the control-head connector.
- 3 Insert the bottom edge of the control head onto the two clips in the front of the radio chassis, then snap into place.

Mounting the Security-Bracket Rails through the Radio Cover

Notice If this mounting option is used, it is essential that the correct mounting rails and screws are used. The higher rail ② and the longer screws ⑦ are used for radios with graphical display control head and the lower rail ③ and shorter ⑧ screws are used for radios with small control head.

Notice Do not mount the security-bracket mounting rails directly to the metal lid of the radio body or use the incorrect screw length. This will cause irreversible damage to the radio.

- 1 At the upper edge of the lower screw bosses on both sides of the radio body, insert a 1/8 inch (3 mm) flat-bladed screwdriver.
- 2 Push the screwdriver under the cover towards the upper screw boss to release the cover from the upper screw boss.
- 3 Remove the cover from the radio body.
- 4 Drill four 3/16 inch (5 mm) holes in the radio cover, in the positions indicated by the small ‘dimples’ on the underside of the cover.
- 5 Replace the cover on the radio. The holes in the cover should line up with the holes in the radio lid.
- 6 Select the correct mounting rails (② or ③) and screws (⑦ or ⑧) and attach a rail to each side of the radio lid, through the holes in the radio cover.



Use two screws per rail and tighten the screws to a minimum torque of 20lbf·in (2·26Nm).

① The higher rail ② and the longer screws ⑦ are used for radios with graphical display control head and the shorter rail ③ and shorter screws ⑧ are used for radios with small control head.

- 7 Follow the instructions from step 2 of “Mounting the Radio in the Security-Bracket Base” on page 3 to complete the installation.

Removing a Radio from the Security Bracket

Use the following procedure to remove the radio from the security bracket.

- 1 Open the slide locks by inserting the slide lock key ④ into the keyhole. Rotate the key 90° (it will slip into a detent), and pull. The pull will be need to be quite firm to open each slide lock.
- 2 Remove the radio and its mounting rails by lifting it up and out of the security bracket base ①.
- 3 If required, remove the mounting rails (② or ③) from the radio body base by unscrewing them.

Replacing the Radio in the Security Bracket

Use the following procedure to replace the radio in a security bracket.

- 1 Remove the radio from the security bracket by following the steps in “Removing a Radio from the Security Bracket” on page 6.
- 2 Install the new radio by following the steps in “Mounting the Radio in the Security-Bracket Base” on page 3.

Disassembling the Security Bracket

Use the following procedure to disassemble the security bracket.

- 1 Remove the radio from the security bracket by following the steps in “Removing a Radio from the Security Bracket” on page 6.
- 2 Unscrew the four self-tapping screws holding the security bracket base in place.

More Information

Refer to your radio provider for more information about this product.