

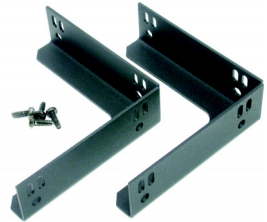
TPA-CH-012 Multicharger Wall-Mounting Kit Installation Instructions



Introduction

The TPA-CH-012 multicharger wall-mounting kit is used to wall-mount the Tait 6-way multichargers (TPA-CH-011 and TPK-CH-15x).

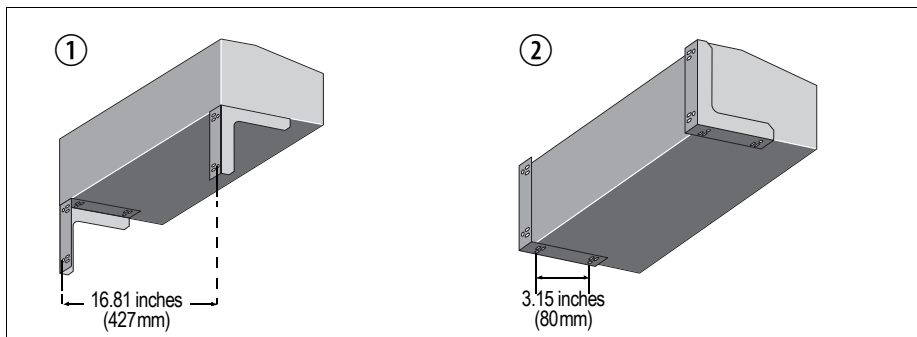
The kit consists of two mounting brackets and four mounting screws.



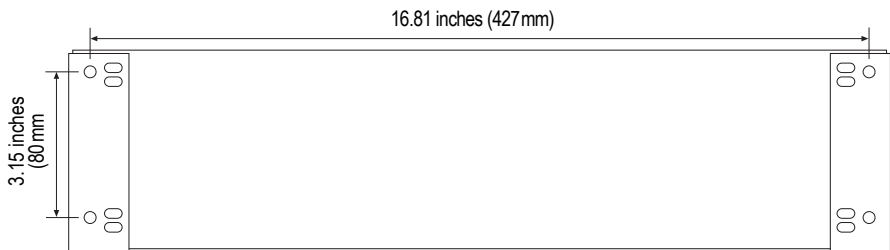
Mounting Configurations

The 6-way multicharger can be wall-mounted either:

- secured on top of the mounting brackets (shown in diagram ①), or
- seated in the mounting brackets (shown in diagram ②).



The following diagram shows the spacing of the mounting holes.



Selecting the Mounting Position

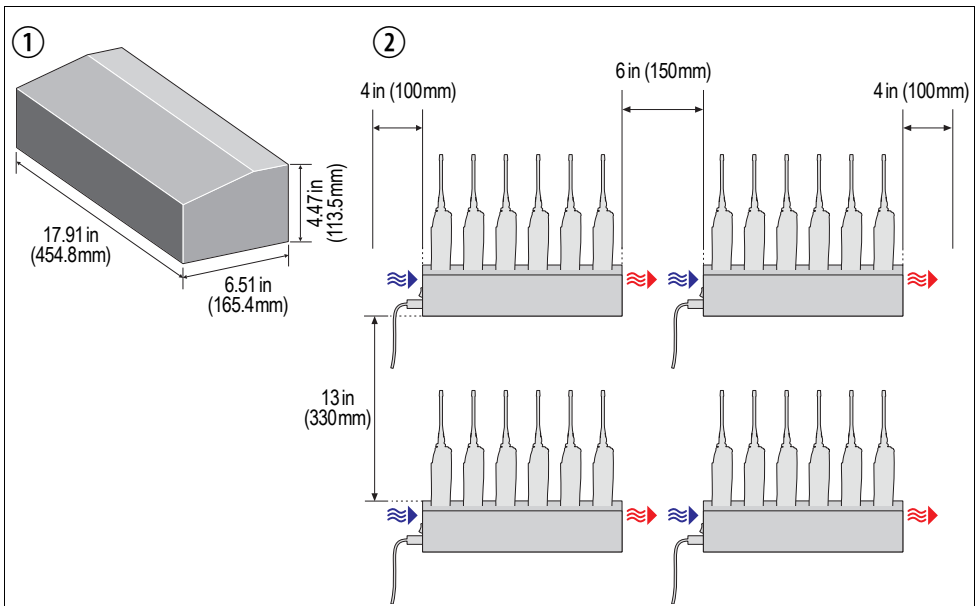
When selecting a mounting position, care must be taken to allow sufficient airflow around the following areas:

- Allow a minimum of 4 inches (100mm) around the power plug, switch access and cold air intake, on the left of the multicharger.
- Allow a minimum of 6 inches (150mm) around the hot air vent, on the right of the multicharger.

Mounting multiple multichargers together

When a number of multichargers are wall-mounted in close proximity, they must be mounted so that there is sufficient airflow between and around multichargers to provide cooling.

The dimensions of the multicharger are shown in diagram ① and the minimum distances required between multichargers are shown in diagram ②.



More Information

Refer to your radio provider for more information about this product.