

# T03-00362-AAAA TP3000 Test Board Instructions



The T03-00362-AAAA TP3000 Test Board is used to functionally test the TP3000 portable radio. The test board provides an interface between the TP3000, a test computer, and an RF communications test set.



## Servicing a TP3000 Radio

To service a TP3000 radio, the following test equipment is required:

### Equipment Supplied by Tait:

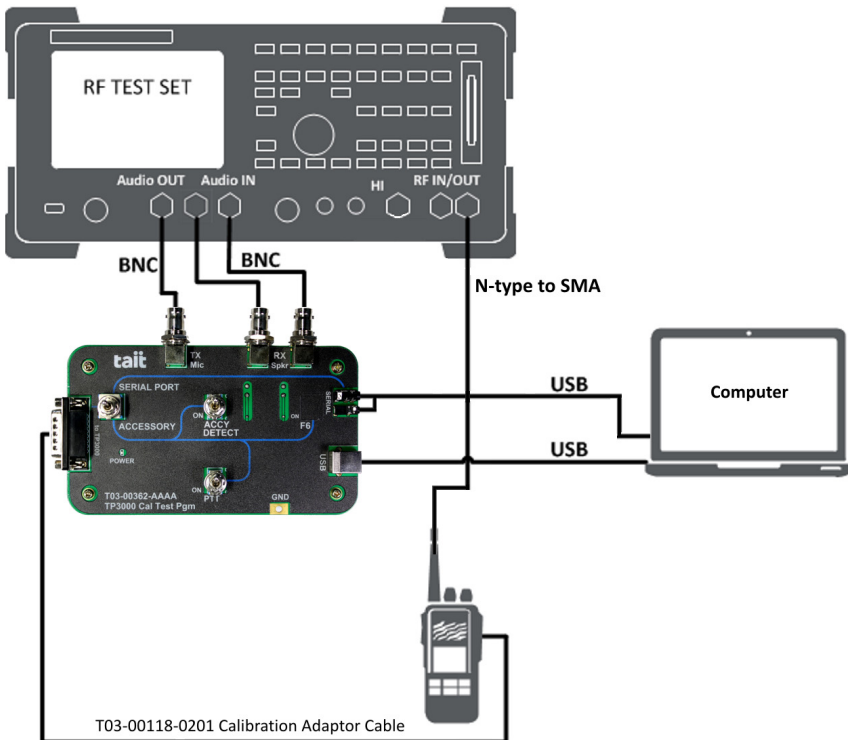
- T03-00362-AAAA test board
- T03-00118-0201 calibration adaptor cable
- BNC-BNC cable x2
- USB Type A to Type B cable
- Twin Jacks to USB Type A cable

### Equipment Supplied by User:

- one of the following:
  - an RF communications test set with an audio bandwidth of at least 10kHz
  - an RF signal generator, an audio signal generator, audio analyzer, an RF power meter, and a modulation meter
- a test computer with the correct programming applications
- a TP3000 radio

## Connecting the TP3000 Radio to the TP3000 Test Board

- 1 Connect the radio to the test board using the T03-00118-0201 calibration adaptor cable.
- 2 Connect the transmit audio connector to the 'Audio Out' port on the RF test set using a BNC-BNC cable.
- 3 Connect the receive audio connectors to the 'Audio In' ports on the RF test set using BNC-BNC cables.
- 4 Connect the TP3000 test board ('USB' slot) to the test computer using a USB Type A to Type B cable.
- 5 For Bluetooth® programming, connect the TP3000 test board 'Serial' port to the test computer using the USB Type A to twin jacks cable.



## Switch Modes

This section describes the TP3000 test board switches:

### Serial Port/Accessory:

- Switch to 'Accessory' for all test operations
- Switch to 'Serial Port' for programming of Bluetooth firmware via the serial port twin jacks

For further information on programming Bluetooth firmware, refer to TN-3023, or contact your local Tait dealer.

### Accessory Detect:

Switch to 'ON' to simulate the attachment of an accessory. This causes the radio to utilise the 'Rx Spkr' and 'Tx Mic' connectors of the T03-00362-AAAA.

### F6:

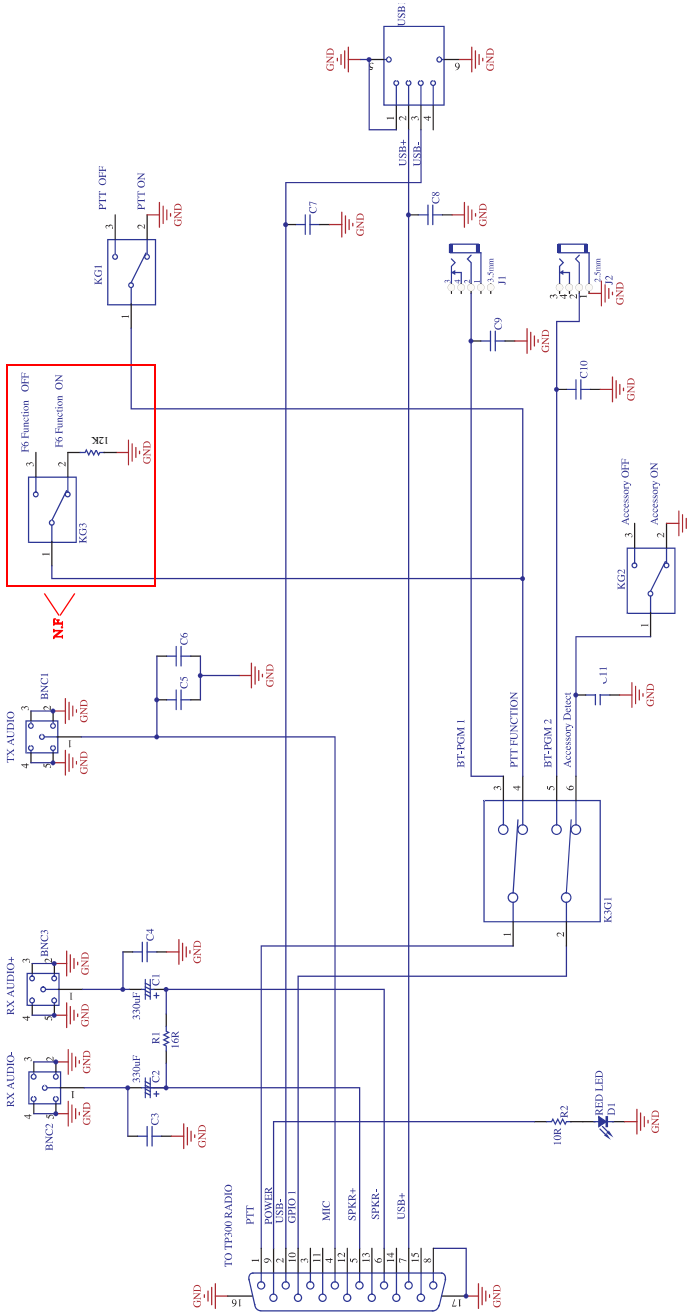
Switch to 'ON' to simulate pressing the function button on an accessory. This will trigger the functions that have been programmed into the radio for the 'F6' function key.

**Notice** The F6 switch may not be fitted as standard on your T03-00362-AAAA test board. Contact your local Tait dealer for further information.

### PTT:

Switch to 'ON' to set the radio to Transmit mode.

# Schematic for T03-00362-AAAA TP3000 Test Board<sup>a</sup>



a. **N.F.**: Not normally fitted.