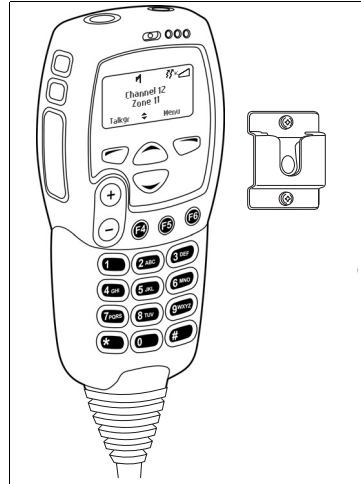



T02-00073-AAAx Hand-Held Control Head Installation Instructions

The **T02-00073-AAAx** is a hand-held control head (HHCH) for mobile radios. It enables users to operate the radio at a distance from the radio body.

The hand-held control head plugs into:

- one of the RJ45 sockets on the **T02-00081-AAAA** body remote interface, or
- the **T02-00088-BAAA** remote interface box supplied with the **T02-00063-2001** hand-held control head remote interface kit. Refer to the installation instructions (**402-00093-xx**)



-  The HHCH can only be used with the **T02-00081-AAAA** body remote interface.

Extension cables

The following extension cable kits are available to extend the distance between a HHCH and the radio body or a remote interface box:

- **T02-00009-0201**: 5 ft (1.6m)
- **T02-00009-0202**: 10 ft (3m)
- **T02-00009-0203**: 20 ft (6m)
- **T02-00009-0204**: 30 ft (9m)

A housing unit and gasket **TMAA03-41** (ordered separately) encloses the extension cable socket, and provides additional strain relief and some protection from water and dust ingress.



Notice Up to ten cables can be connected in series to achieve a maximum distance of 100 ft/30m. If distances greater than this (up to 200 ft/60m) are required, allowances must be made for the remote speaker extension. For example, a thicker speaker cable to reduce audio loss.

Remote speaker

A remote speaker is required when a HHCH is installed. Use the **T02-00004-0204** or **T02-00004-0206** remote speaker for 25 W radios, or the **T02-00004-0205** or **T02-00004-0207** for > 25 W radios.

Installation

HHCH installation involves the following:

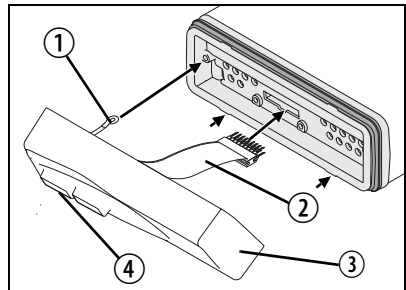
- fit the body remote interface to the radio torso, if not already fitted
- plug the HHCH cord into the body remote interface
- install the hand-held control-head mounting clip
- connect a remote speaker to the rear of the radio



Caution When drilling holes in a vehicle, check that drilling at the selected points (and subsequent fitted screws) will not damage vehicle systems: wiring, fuel tanks, fuel lines, brake lines or battery cables.

Installing the remote body interface onto the radio body (if required)

- 1 Screw the earthing tag ① onto one of the screw bosses on the radio chassis.
- 2 Plug the body-interface loom ② onto the control head connector.
- 3 Insert the bottom edge of the remote body interface ③ onto the two clips in the front of the radio chassis, then snap into place.
- 4 Remove the bung ④ covering the left RJ45 connector. The remote cable will plug into this connector once the installation is complete.



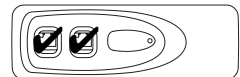
Notice The RJ45-cavity bung must be installed in the unused RJ45 cavity at all times. This ensures that the remote body interface is sealed against water, dust and other environmental hazards.

Installing the hand-held control head

Notice The HHCH grommet must be installed whenever the control head is plugged into the RJ45 socket. When installed, the grommet has two functions:

- to prevent damage to the control-head socket when there is movement of the control-head cord
- to ensure that the control head is sealed against water, dust and other environmental hazards

- 1 Make sure the radio is turned off, then plug the HHCH cord into either RJ45 socket of the body remote interface.
- 2 Slide the grommet along the hand-held control-head cord, and push two adjacent corners of the grommet into the socket cavity.
- 3 Squeeze the grommet and push the remaining corners into position.
- 4 Check that the grommet is seated correctly in the cavity.



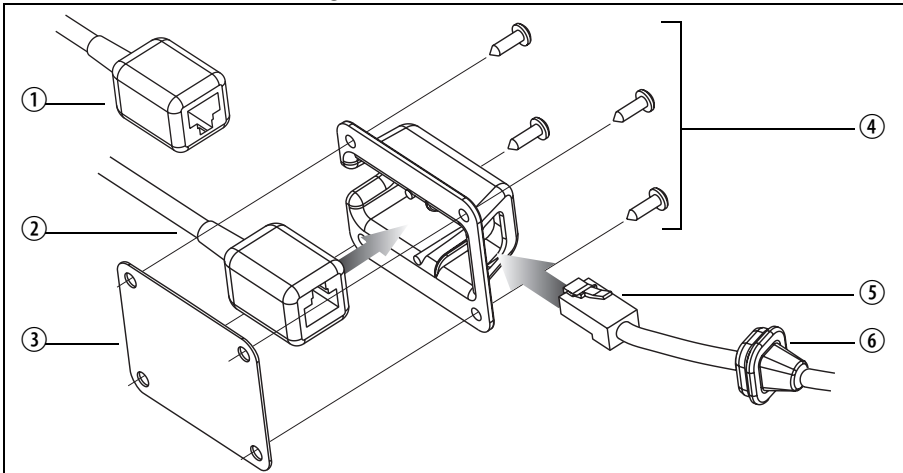
Installing an extension cable

- 1 Determine the best route for the extension cable and mounting position for the housing unit.



- 2 Install an extension cable.

- a Route the extension cable between the mounting position for the housing unit and the radio body or remote interface box.
- b Drill any holes required for the cable and install suitable grommets or bushings in the holes.
- c Make sure the radio is turned off, then plug the extension cable connector into either of the RJ45 sockets on the remote blanking control head, or the HHCH port of the remote interface box.
- d Install the extension cable grommet.



- 3 Slide the extension cable socket ② into the housing unit.

i The socket can slot in the opposite orientation ①.

- 4 (Optional) Install the gasket.

- a Peel the adhesive backing off one side of the gasket ③.
- b Fit that side of the gasket to the housing unit so the screw holes line up.
- c Apply pressure until the adhesive holds.

- 5 Mount the housing unit.

Use one or both of the following mounting methods:

- If the gasket is installed, peel the adhesive backing off, place the housing unit on the mounting surface at the required location. Apply pressure until the adhesive holds.

i The adhesive is optional. If you choose not to use adhesive for mounting, leave the adhesive backing on and screw the housing unit and gasket as described below.

- Use the four screws provided ④, or screws of maximum diameter 0.165 in/4.2mm (No. 8 or M4), to mount the housing unit. Pre-drill pilot holes of the appropriate diameter for the screw type and mounting surface before inserting and fastening the screws.
- 6 Install the HHCH curly cord.
 - a Slide the HHCH connector ⑤ into the connector hole of the housing unit until the release clip fastens.
 - b Install the HHCH grommet ⑥ into the housing unit.

Hand-held control head secure mounting bracket (T02-00026-2007)

The HHCH can be installed with the separately available “Hand-Held Control Head Secure Mounting Bracket” (T02-00026-2007). This allows the HHCH to be held rigidly for single handed operation, while remaining secured in the standard HHCH mounting clip. To install the HHCH Secure Mounting Bracket (T02-00026-2007), mount between the mounting clip and the preferred installation surface.

Installing the mounting clip

Install the mounting clip in the most convenient location for the radio user. It must be within easy reach, but in such a position that the HHCH PTT key cannot be inadvertently activated.

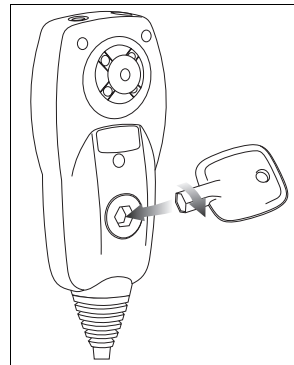


Caution Ensure drilling holes for the mounting clip does not interfere with wiring, fuel tanks, fuel lines, brake lines or battery cables.

Radio Programming

- ① The radio must be programmed with the HHCH installed.
 - 1 Use the tool, such as an 8mm AF Allen key (not provided), to remove the rear programming connector cover.
 - 2 Connect a PC to the programming connector and use the programming application to program the radio.
 - 3 Assign functions to Key 1 to Key 6 of the HHCH, if required (Function Ctrl Settings form).

Refer to the online help of the programming application for more information.



More Information

Refer to your radio provider for more information about this product.